



## A座5樓電視台裝修工程 招標書

(投標商不可在招標書封面上顯示機構的身份)

出標日期 : 2021年7月9日  
學校檔案 : P-2020-T-15

執事先生：

執事先生：

現誠邀 貴機構承投提供隨附的投標文件內所列的服務。倘 貴機構不擬接納部份計劃，請清楚註明。就上述計劃的投標書必須清楚填寫及附上相關文件，貼上附件所示回標標籤，於 2021年7月23日中午12時前親自交回九龍窩打老道80號香港培正小學。逾期的投標，概不受理。 貴機構的投標書有效期為90天，由上述截標日期起計。如在該90天內仍未接獲訂單，則是次投標可視作落選論。另外亦請注意，貴機構必須填妥表格內所有資料，否則投標書概不受理。倘 貴機構未能或不擬投標，請填妥「不擬投標」，連同本函及投標附表寄回上述地址，並列明不擬投標的原因。學校招標承投所需之服務時，會以「整批」形式考慮接受供應商的投標。

招標者

香港培正小學

2021年7月9日



## A座5樓電視台裝修工程 保證書

- 於呈交本標書時，投標者申述及保證於是次投標標書內容中：
  - 投標者從沒有亦不會向[香港培正小學]（以下稱為「本校」）以外的任何人士傳達任何關於投標金額的資料；
  - 投標者從沒有亦不會透過與任何其他人士的安排調整任何投標金額；
  - 投標者從沒有亦不會與任何其他人士就投標者本身或該其他人會或不會投標訂立任何安排；
  - 投標者從沒有亦不會以任何方式與任何人士串通。
- 如投標者違反本條的第(1)款所作的任何申述及/或保證，本校有權採取下列行動，而無須向任何人作出補償或承擔法律責任：
  - 拒絕接納有關投標；
  - 如本校已接納其標書，則撤回對該標書的接納；或
  - 如本校已與投標者簽訂合約，則終止該合約。
- 就違反上文第(1)條的任何陳述及/或保證而引致或與上述違反有關的所有損失、損害、費用或開支，投標者須向本校作出彌償，並使本校獲得彌償。
- 本條的第(1)款不適用於投標者為獲得保險報價以計算投標價格而向其承保人或經紀人發出嚴格保密的通訊，以及為獲得顧問/分判商協助編製標書而向他們發出嚴格保密的通訊。為免生疑問，競投人於公開拍賣時所作的競投並不會視作違反本條的第(1)款所作的任何申述及/或保證。
- 本校於本條的第(2)、(3)及(4)款的權利並不損害本校針對投標者而享有的任何其他權利或補救方法。

投標機構名稱 : \_\_\_\_\_

投標書代表的姓名(已獲授權) : \_\_\_\_\_

投標書代表的簽署(已獲授權) : \_\_\_\_\_

聯絡電話 : \_\_\_\_\_

日期 : \_\_\_\_\_

\_\_\_\_\_ 機構印鑑



## A 座 5 樓電視台裝修工程 招標內容

1. 承辦商名稱 : \_\_\_\_\_ (請投標者以中/英文正階填寫)
2. 承辦商資格 : 須信譽良好，並須持有有效香港特別行政區政府商業登記証，或為香港特別行政區註冊商業機構及註冊小型工程承建商。(請提供相關文件)
3. 工程名稱 : A 座 5 樓電視台裝修工程
4. 工程地點 : 全校
5. 工程內容 : A 座 5 樓電視台裝修工程包括：裝修工程、廣播系統及拉線放線佈線工程。列出一切有關更改圖則、與屋宇署及/或相關政府部門申請改動事宜及/或申請小型工程等文件之流程。(如適用)
6. 工程期限 : 2021 年 8 月 2 日至 2021 年 9 月 30 日 (共 60 日)  
(如因天氣關係使工程延遲，則在 2021 年 10 月 2 日為最終期限)

承辦商如未能依期完成工程，承辦商須向本校支付罰款，即由工程訂明之應完工日期起計，至本校確認的該期工程完工日止，以每天港幣 3,000.00 計算，作為因未能如期完成工程而令本校蒙受損失的賠償。



## A座5樓電視台裝修工程

### 7. 招標項目內容

提供採購項目附表指定規格器材，安裝及設定服務，最少一年上門維修保養，及最少一年技術支援服務。

### 8. 招標項目工作範圍(Scope of Work)

- 8.1 承辦商必須有充足的工程前準備(包括實地視察，現有學校設備和功能分析，及其他相關必需的準備)，以保證工程能順利完成。
- 8.2 承辦商必須在限期內完成新電視台的工程，並保證新電視台能提供現有電視台的全部功能，其中包括影像音訊直播系統、廣播系統、拍攝控制系統、錄影系統、控制室、電腦和網絡基建設備、電腦技術員辦公室、電腦維修和儲物空間、及其他相關功能和空間。
- 8.3 承辦商必須在限期內完成鋪設新影像音訊直播系統、廣播系統、廣播線、喇叭、課堂鐘聲及相關的設備，以保證新影像音訊直播系統、廣播系統、廣播線、喇叭、課堂鐘聲能正常運作。
- 8.4 承辦商必須在限期內完成影像音訊直播系統、廣播系統及拍攝控制系統的啟動及設定相關的功能和服務。
- 8.5 承辦商必須在限期內完安裝及設定電腦和網絡基建設備(參見附件1)，以致電視台的電腦網絡能連接到本校現有電腦網絡中，建議用 H3C 5130 24 Port Switch
- 8.6 承辦商必須提供完整的測試計劃 Testing Plan，以致新電視台在標書內提及的所有功能都能運作暢順。
- 8.7 承辦商必須向學校的相關老師及技術員提供充足的到校培訓(Admin knowledge transfer)，及上述最少一年技術支援服務(Unlimited email and phone support)，以致學校同工能熟習新電視台的操作。
- 8.8 供應商必須提交工作流程、時間表和各器材及物料之規格文件。



## A座5樓電視台裝修工程

### 9. 裝修工程(根據附件2設計圖)

#### 9.1 前期項目

項目	數量	單價	金額
9.1.1 第三者保險及勞工保險。	1 set		
9.1.2 全屋清拆泥頭, 舊有傢俬, 及雜物(包括政府收取之泥頭費用), 施工期間公共地方鋪設保護板、清走垃圾、門口設置為佳版、裝修完工清潔。	1 job		

#### 9.2 地台項目

項目	數量	單價	金額
9.2.1 新造膠地簾及膠腳線	700 sq. ft		
9.2.2 膠腳線	1 job		

#### 9.3 電燈項目

項目	數量	單價	金額
9.3.1 新造 13A 單位制	10 nos.		
9.3.2 新造 13A 雙位制	10 nos.		
9.3.3 新造 DATA 制位	15 nos.		
9.3.4 提供及安裝天花位	20 nos.		
9.3.5 提供及安裝天花路軌射燈	3 set		
9.3.6 提供及安裝天花燈盤	4 nos.		
9.3.7 提供及安裝上下升降舞台燈連路軌	6 set		
9.3.8 新造開關位	1 set		
9.3.9 完工後提供 WR1 證書	1 set		



## A座5樓電視台裝修工程

### 9.4 傢俬項目

項目	數量	單價	金額
9.4.1 新造 2400mm 高儲物櫃	25 L/ft		
9.4.2 新造新造影音控制枱	8 L/ft		
9.4.3 提供及安裝工作枱	4 nos		
9.4.4 新造全高玻璃間隔	15 L/ft		
9.4.5 新造實心木門	1 no		
9.4.6 提供及安裝捲簾	2 nos		
9.4.7 新造 2400mm 高儲物櫃	13 L/ft		
9.4.8 新造錄影區(A)造型枱	7 L/ft		
9.4.9 新造錄影區(B)升高地台	1 no		
9.4.10 新造綠色投影幕拉佈	1 no		
9.4.11 新造遮光窗簾	1 no		
9.4.12 新造錄影區(B)木間隔背景牆	20 L/ft		
9.4.13 新造錄影區弧形造型吊頂	2 nos		

### 9.5 油漆項目

項目	數量	單價	金額
9.5.1 天花翻油油漆批(天花油三層日本立邦五合一淺米色)	700 sq/f		
9.5.2 牆身剷底油防潮漆批灰打磨(天花油三層日本立邦五合一淺米色)	1200 sq/ft		



## A座5樓電視台裝修工程

### 9.6 廣播系統

項目	數量	單價	金額
<p>9.6.1 IP network controller</p> <ul style="list-style-type: none"><li>•Features: Equipped with the Luna cloud platform voice broadcasting system software, Support LAN and WAN transmission, Server-level system (Linux system) is open,</li><li>•Software: Linux</li><li>•Motherboard: ASUS H110T motherboard - DDR4-32G, support remote management,</li><li>•Hard disk: Seagate-ST1000DM010-1TB-SATA interface</li><li>•RAM: Memory stick Kingston-HX421S12IB/4</li><li>•Network card: Realtek RTL8103EL, 1000M. Dual network card</li><li>•CPU: CPU-Intel-I3-6100</li><li>•Standard interface: Built-in 6 x 3.0USB ports, 1 x Mic. in port, 1 x Line out port, 1 x HDMI port, 1 x DP</li><li>•Dimension: 550 x 440 x 440 mm (LxWxH)</li><li>•Weight : 3.5 kg</li></ul>	1 set		
<p>9.6.2 Software Cloud IP PA System</p> <ul style="list-style-type: none"><li>•Integrated management platform for data exchange, system operation and function operation</li><li>•Server-level Linux system is used as the core operating platform, so that the system is free from the interference and destruction of viruses, and the system operation stability is greatly improved</li><li>•Responsible for audio stream transmission management including various audio terminal playback requests and full-duplex audio exchange</li><li>•Support terminal zone management function, zone terminal customization. Support broadcast and dial function of selected zone number</li></ul>	1 set		



### A座5樓電視台裝修工程

<ul style="list-style-type: none"> <li>•Support terminal broadcasting, intercom, monitoring, emergency fire recording. Recording area and recording time can be arbitrarily set</li> <li>•Support 9-level session priority setting.</li> <li>•Support PA system management through mobile APP</li> </ul>			
<p>9.6.3 Desktop Intercom Paging Microphone</p> <ul style="list-style-type: none"> <li>•Features: With 7" TFT touch-screen, Capable of call via both the handheld mic and gooseneck mic</li> <li>•Network interface: 2 groups of RJ45</li> <li>•Transmission speed: 1000Mbps / 100Mbps / 10Mbps</li> <li>•Protocol: TCP/IP, UDP, IGMP</li> <li>•Aduio format: MP3, WMA, WAV</li> <li>•Audio type: 16Bit stereo audio in CD level</li> <li>•Sampling / Bit rate: 8K to 48K / 8K to 768Kbps</li> <li>•Frequency response: 20Hz to 20KHz, ±1dB</li> <li>•Dimension: 200 x 55 x 159 mm (WxHxD)</li> <li>•Weight : 2kg</li> </ul>	2 set		
<p>9.6.4 CD/MP3 Player with Tuner</p> <ul style="list-style-type: none"> <li>•Features: Built-in CD player, MP3, tuner, USB &amp; SD inputs on front panel for MP3 player, AM/FM tuner each memory of 99 bands, One CD/MP3 stereo output and one tuner stereo output</li> <li>•Fequence response: 20Hz ~ 20KHz (-2dB)</li> <li>•Dimension: 484 x 209 x 44 mm (WxDxH)</li> <li>•Weight : 3.7 kg</li> </ul>	1 set		
<p>9.6.5 Cloud-based PA System Audio Collector</p> <ul style="list-style-type: none"> <li>•Features: Adopt embedded computer and DSP signal processing technology, Built-in 1 channel audio encoding module of network hardware, Support TCP/IP, UDP protocols to realize network signal</li> <li>•Network interface: Standard RJ45 input</li> <li>•Transmission rate: 100Mbps</li> <li>•Audio format: MP3, PCM</li> <li>•Audio mode: 16-bit CD sound quality</li> </ul>	1 set		





### A座5樓電視台裝修工程

<ul style="list-style-type: none"> <li>•Frequency response: 80Hz ~ 16kHz +1/-3dB</li> <li>•Dimension: 93 x 43 x 66 mm (WxHxD)</li> <li>•Weight : 0.5 kg</li> </ul>			
<p>9.6.6 IP Fire Alarm Signal Matrix Receiver</p> <ul style="list-style-type: none"> <li>•Features: Professional linkage short signal collector, To receive short signal from the third-party fire alarm system and to work with IP audio system to acheive linkage fire alarm, With excellent security and stability; support continuously working of 7x24 hours, With two network port to support exchange expansion mode and redundant backup mode and the speed is up to 1000M</li> <li>•Network interface: 2 groups of RJ45</li> <li>•Transmission speed: 1000Mbps / 100Mbps / 10Mbps</li> <li>•Support protocol: TCP//IP, UDP, IGMP (Grouping Broadcast)</li> <li>•Dimension: 484 x 310 x 88 mm (WxDxH)</li> <li>•Weight: 3.5 kg</li> </ul>	1 set		
<p>9.6.7 16-Zone IP Terminal</p> <ul style="list-style-type: none"> <li>•Features: Built-in 4.3-inch LCD screen in TFT color with 37 function buttons, Real-time display of program playback, timed broadcast, equipment operation, IP address, MAC address and other status information, Integrated 24Bit professional sound card enables excellent audio playback, and the highest audio stream is 768kpbs, Built-in 2-channel independent audio output for external amplifier amplification, 2 x 2200W power interfaces with functions of intelligent power management</li> <li>•Network interface: Standaard RJ45 input</li> <li>•Transmission rate: 100Mbps</li> <li>•Protocol support: TCP/IP, UDP, IGMP (multicast), IETF SIP</li> <li>•Audio formats: MP3, WMA, WAV</li> <li>•Audio mode: 16-bit CD sound quality</li> </ul>	5 set		



### A座5樓電視台裝修工程

<ul style="list-style-type: none"> <li>•Sampling rate: 8KHz ~ 48KHz</li> <li>•Frequency response: 80Hz ~ 16KHz -3dB / +1dB</li> <li>•Dimension: 484.0 x 327.5 x 88.0 (WxDxH)</li> <li>•Weight: 4.6 kg</li> </ul>			
<p>9.6.8 IP PA System Terminal</p> <ul style="list-style-type: none"> <li>•Features: 2 channel 3-wire forced switching output, to realize 3-wire volume control switch for alarm mode, Professional 1 channel network audio decoder, With excellent security and stability; support continuously working of 7x24 hours, Built-in 4.3 inch LCD screen, and using 21 industrial-grade metal buttons, With the function of IP audio decoding to achieve high-quality digital audio transmission.</li> <li>•Network interface: 2 groups of RJ45</li> <li>•Transmission rate: 100Mbps</li> <li>•Protocol support: TCP/IP, UDP, IGMP (Grouping Broadcast)</li> <li>•Audio formats: MP3, WMA, WAV</li> <li>•Audio mode: 16-bit stereo sound in CD level</li> <li>•Sampling / Bit rate: 8K to 48K / 8K to 768Kbps</li> <li>•Frequency response: 20Hz to 20KHz <math>\pm</math>1dB</li> <li>•Dimension: 484 x 310 x 88 (WxDxH)</li> <li>•Weight: 10 kg</li> </ul>	1 set		
<p>9.6.9 1-Channel Class-D Amplifier</p> <ul style="list-style-type: none"> <li>•Rated power output: 240W</li> <li>•Rated output: 100V / 4~16<math>\Omega</math></li> <li>•Input sensitivity: <math>\pm</math>385mV/20K<math>\Omega</math>, balanced input (Impedance)</li> <li>•Frequency response: 80Hz ~ 16KHz (+1, -3dB)</li> <li>•Power output: 350W</li> <li>•Speaker output: 70V, 100V &amp; 4 ~ 16 ohms</li> <li>•Transmission speed: 100 Mbps</li> <li>•Frequency response: 60Hz ~ 18KHz</li> <li>•Dimension: 484 x 315 x 44 (WxDxH)</li> <li>•Weight: 3.7 kg</li> </ul>	5 set		
<p>9.6.10 Ceiling Loudspeaker, 6W, White Color</p>	5set		



### A座5樓電視台裝修工程

<ul style="list-style-type: none"> <li>•Input: 70V / 100V / 8Ω</li> <li>•Power taps @100V: 1.5W, 3W, 6W</li> <li>•Power taps @70V: 0.75W, 1.5W, 3W</li> <li>•Frequency response: 110Hz ~ 18KHz</li> <li>•Speaker driver: 5" x 1; 1.5" x 1</li> <li>•Dimension: Ø200 x 55 mm (Ø x H)</li> <li>•Weight: 0.8 kg</li> </ul>	<p>(Set-up location: Block D 大堂 x 1, Block D 圖書館 x 4)</p>		
<p>9.6.11 5" Two Way Wall Mount Speaker, 6W, White Color</p> <ul style="list-style-type: none"> <li>•Power Taps @100V: 1.5W, 3W, 6W</li> <li>•Power Taps @70V: 0.75W, 1.5W, 3W</li> <li>•Impedance: Black: Com, Red: 6.7 KΩ/3.3 KΩ/1.7KΩ</li> <li>•Frequency Response: 90-18KHz (-10dB)</li> <li>•Speaker driver: 5" x 1, 2.5" x 1</li> <li>•Dimension: 285 x 200 x 85 mm (HxWxD)</li> <li>•Weight: 1.3 kg</li> </ul>	<p>68 set (Set-up location: Block A x 4, Block B x 15, Block C x 26, Block x 26)</p>		
<p>9.6.12 Pendant Speaker, 6W, White Color</p> <ul style="list-style-type: none"> <li>•Features: Pendant type loudspeaker for high roof applications</li> <li>•Power Taps @100V: 1.5W, 3W, 6W</li> <li>•Power Taps @70V: 0.75W, 1.5W, 3W</li> <li>•Impedance: Blue: Com Red:6.7KΩ Green: 3.3KΩ Yellow:1.7KΩ</li> <li>•Frequency Response: 130-14KHz (-10dB)</li> <li>•Speaker driver: 5" x 1</li> <li>•Dimension: Ø205 x 205 mm (ØxH)</li> <li>•Weight: 1.1 kg</li> </ul>	<p>19 set (Set-up location: Block C 蕙芳 x 2, Block K 12樓職員室 x1, 校長室 x1, 13樓教員室 x10, 副校長室 x3, 14樓休息室 x2)</p>		
<p>9.6.13 Weatherproof Aluminum Horn Speaker, 50W, White Color</p> <ul style="list-style-type: none"> <li>•Features: Waterproof projector type loudspeaker rated at IP6, Supreme longer distance dispersion horn speaker, Aluminum enclosure &amp; flare and stainless metal bracket</li> <li>•Power Taps @100V: 25W, 50W</li> <li>•Power Taps @70V: 12.5W, 25W</li> <li>•Impedance: Black-Com Green: 400Ω White: 200Ω</li> <li>•Frequency Response: 300-14KHz (-10dB)</li> </ul>	<p>10 set (Set-up location: Block B 操場 x2, Block C 蕙芳外 x2, 籃球場 x2, Block D 有蓋操場 x4)</p>		



### A座5樓電視台裝修工程

<ul style="list-style-type: none"> <li>•Dimension : Ø325 x 355 mm (ØxL)</li> <li>•Weight: 3.1 kg</li> </ul>			
9.6.14 Wall Mounted Volume Control Unit with 86-PVC CK Box, White Color <ul style="list-style-type: none"> <li>•Power rated: 70 ~ 100V</li> <li>•Volume level: 30W / 10W</li> <li>•Dimension : 86 x 86 x 26 mm (WxHxD)</li> <li>•Weight: 0.15 kg</li> </ul>	2 set (Set-up location: Block A 電視台 x 1, Block K 12樓 校長室 x 1,)		
9.6.15 27U System Equipment Rack <ul style="list-style-type: none"> <li>•Dimension : 600 x 600 x 1,430 mm (WxDxH)</li> <li>•Weight: 71 kg</li> </ul>	1 set		
9.6.16 Whole School Digital P.A. Broadcasting System Set-Up Services	1 job		
9.6.17 Whole School Digital P.A. Broadcasting System Operation Training Services	1 job		

### 9.7 影像音訊直播系統

項目	數量	單價	金額
9.7.1 6-Channel HD Portable Video Streaming Studio <ul style="list-style-type: none"> <li>•Features: Built-in H.264 web streaming encoder, Streaming to Facebook Live, YouTube, Twitch, and More. Built-in virtual set backgrounds, Built-in 17.3" LED Backlit Monitor with resolution 1600x900 pix, 2 x USK support Chromakey, 2, support Lumakey &amp; Linear key, Supports up to 6 video inputs in HDMI and SDI, and 5 Video Outputs: ( SDI x 2 + HDMI x 3)</li> <li>•Signal inputs: Video: 4 x HD-SDI; 2 x HDMI, Audio: 2 x Balanced XLR</li> <li>•Signal outputs: Video: 3 x HDMI; 2 x SDI, Audio: 1 x Stereo headphone</li> <li>•Dimension : 355 x 455 x 134 mm (WxDxH)</li> <li>•Weight : 7.4 kg</li> </ul>	1 set		
9.7.2 43" 4K UHD Hospitality Smart TV <ul style="list-style-type: none"> <li>•Screen size: 43"</li> <li>•Resolution: 3,840 x 2,160, UHD</li> </ul>	1 set		



### A座5樓電視台裝修工程

<ul style="list-style-type: none"> <li>•Sound output (RMS): 10W + 10W</li> <li>•Input ports: HDMI x 3; USB 2.0 x 2</li> <li>•Ethernet (LAN): RJ45</li> <li>•VESA: 200 x 200</li> <li>•Dimension : 970.2 x 563.2 x 58.2 mm (WxHxD)</li> <li>•Weight: 9.6 kg</li> </ul>			
<p>9.7.3 5.8Ghz Dual Channel Wireless Microphone</p> <ul style="list-style-type: none"> <li>•Package with: 1 set of ISM 5 GHz dual-channel digital wireless receiver, 2 sets of ISM 5 GHz digital wireless handheld transmitter microphone unit, 2 pieces of Ø6.3mm phone jack mic. Audio cable.</li> <li>•Preset frequencies: 112 preset channels, Group A: 12 presets channels of interference-free operation, Group B1 &amp; 2: 24 channels of interference-free operation, 64 ID codes and 1 specific ID are allowed to be set for each channel to prevent the same channel interfered in the same space.</li> <li>•Freq. response: ISM 5.8 GHz 5,725 ~ 5,850 MH</li> <li>•Feature design: With Graphic OLED display panel, Detachable antenna</li> <li>•Dimension : 420 x 44 x 180 mm (WxHxD)</li> <li>•Weight : 1.3 kg</li> </ul>	2 set		
<p>9.7.4 Soundcraft EFX mixer</p> <ul style="list-style-type: none"> <li>•8+2 and 12+2 channel frame sizes</li> <li>•Built-in 24 bit Lexicon digital effects processor</li> <li>•32 FX settings</li> <li>•Tap Tempo and FX setting store function</li> <li>•1 FX send on each channel</li> <li>•1 configurable auxiliary bus</li> <li>•XLR-type and ¼" metal jack connector sockets</li> <li>•RCA phono stereo playback inputs and record outputs</li> <li>•3-band EQ with a swept mid on mono inputs</li> <li>•3-band EQ on stereo inputs</li> </ul>	1 set		



### A座5樓電視台裝修工程

<ul style="list-style-type: none"> <li>•TRS insert sockets and inserts on all mono inputs</li> <li>•Ten-segment LED output metering</li> <li>•Intuitive and comprehensive solo system</li> <li>•Headphone output</li> <li>•Easily rack mountable</li> <li>•Custom Karaoke preset</li> <li>•Height: 330mm (13.0")</li> <li>•Width: 91mm (3.6")</li> <li>•Depth: 362mm (14.3")</li> <li>•Weight: 4.6kg (10.1lb)</li> </ul>			
<p>9.7.5 Table Mic. Stand</p> <ul style="list-style-type: none"> <li>•Suitable for: ISM 5 GHz digital wireless handheld transmitter microphone unit</li> </ul>	2 set		
<p>9.7.6 Tie-Clip Wireless Microphone Set</p> <ul style="list-style-type: none"> <li>•Package with: 1 set of ISM 5 GHz channel digital wireless receiver, 1 piece of tie-clip microphone unit</li> </ul>	2 set		
<p>9.7.7 Headset Wireless Microphone Set</p> <ul style="list-style-type: none"> <li>•Package with: 1 set of ISM 5 GHz channel digital wireless receiver, 1 piece of headset microphone unit</li> </ul>	2 set		
<p>9.7.8 4K HDR Professional Handheld Camcorder</p> <ul style="list-style-type: none"> <li>•Imaging Device (Type): 1.0-type (13.2mm x 8.8mm) back-illuminated Exmor RS CMOS sensor</li> <li>•Effective Elements: Approx.14.2M pixels (16:9) / Approx.12.0M pixels (3:2)</li> <li>•Zoom Ratio: 12x (optical), servo</li> <li>•Focal Length: f=9.3 - 111.6mm</li> <li>•Iris: F2.8 - F4.5 (Auto/manual selectable)</li> <li>•Focus: AF/MF selectable, 10 mm to ∞ (Wide), 1000 mm to ∞ (Tele)</li> <li>•Image Stabilizer: ON/OFF selectable, shift lens</li> <li>•Audio Input: XLR-type 3-pin (female) (x2), line/mic/mic +48 V selectable</li> <li>•Headphone Output: Stereo mini jack (x1)</li> </ul>	2 set		



### A座5樓電視台裝修工程

<ul style="list-style-type: none"> <li>•HDMI Output: Type A (x1)</li> <li>•Built-in Microphone: Omni-directional stereo electret condenser microphone</li> <li>•Operating Time: Approx. 155min. with battery (while recording with LCD, XAVCS 4K 2160/30p, 60Mbps), Approx. 265 min. with battery (while playing with LCD, XAVCS 4K 2160/30p, 60Mbps)</li> <li>•Dimension (WxHxD): 121.0mm x 104.0mm x 274.5mm (With the accessories (lens hood, large eyecup)</li> <li>•Weight: Approx. 1.32kg (with lens hood, handle, eyecup, battery)</li> </ul>			
<p>9.7.9 Aluminum Video Tripod with Fluid Head</p> <ul style="list-style-type: none"> <li>•Features: 2-Stage Aluminum Tripod, 75mm Bowl Base, 36 to 75" Height Range, 360° Pan Rotation, Independent Pan Lock, -75 to 90° Tilt Adjustment, Camera Plate with Anti-Twist Flip Locks, Built-In Mid-Level Spreader, Support weight up to 10kg</li> <li>•Weight: 4 kg</li> </ul>	2 set		
<p>9.7.10 26" Circular-Shape LED Light</p> <ul style="list-style-type: none"> <li>•No. of LED: 360 pieces</li> <li>•Power output: 68W</li> <li>•Lux (5600K): 0.5M 5920 / 1M 1660 / 2M 567</li> <li>•Color temperature: 3000K ~ 5600 Stepless</li> <li>•Illumination angle: 65°</li> <li>•Dimensions: 685 x 670 x 65 mm</li> <li>•Weight: 4.1 kg</li> </ul>	2 set		
<p>9.7.11 Compact Light Stand, 630mm ~ 2,210mm</p> <ul style="list-style-type: none"> <li>•Color: Black</li> <li>•Minimal height: 630 mm</li> <li>•Maximal height: 2,210 mm</li> <li>•Collapsed length: 590 mm</li> <li>•Sections: 4</li> <li>•Spread: 880 mm</li> <li>•Maximum load weight: 5 kg</li> <li>•Weight: 1 kg</li> </ul>	2 set		
<p>9.7.12 Studio Support Stand</p>	1 set		



### A座5樓電視台裝修工程

•Dimension: 3,200 x 1,000 ~ 2,400 mm (WxH)			
9.7.13 Photography Background Paper •Color: #54 Stinger (Green) •Roll size: 2.72m x 11m	1 roll		
9.7.14 Photography Background Paper •Color: #61 Blue Lake •Roll size: 2.72m x 11m	1 roll		
9.7.15 Photography Background Paper •Color: #44 Jet (Black) •Roll size: 2.72m x 11m	1 roll		
9.7.16 Photography Background Paper •Color: #93 Arctic White •Roll size: 2.72m x 11m	1 roll		
9.7.17 Photography Background Cloth •Color: Stinger (Green) •Roll size: 3m x 6m	1 roll		
9.7.18 Photography Background Cloth •Color: Black •Roll size: 3m x 6m	1 roll		

#### 9.8 拉線放線佈線工程

The contractor shall allow costs in quotation to provide sufficient quantity and its cabling work required, including but not limited to supply and install the fiber optics, Cat6 or Cat6A cable, coaxial cable, conduit, cable patch panel, cable faceplates, cable patch cords, equipment housing cabinets and other equipment such as fiber switch required to support provisioning of PA and video broadcast service. Existing Trunks, conduits and power points can be used by contractor, while it should maintain the fixture in good quality and dismantling old cables if necessary. Cables quantity please provide floor plan or diagram.

項目	數量	距離	單價	金額
9.8.1 Fiber optics				
9.8.2 Cat6 cable				
9.8.3 Cat6A cable				
9.8.4 Coaxial cable				
9.8.5 Conduit				





### A座5樓電視台裝修工程

9.8.6 Cable patch panel				
9.8.7 Cable faceplates				
9.8.8 Cable patch cords				
9.8.9 Equipment housing cabinets				
9.8.10 Fiber switch				
9.8.11 Trunks				
9.8.12 檢查及清理舊線	1 job			

### 9.9 影像音訊內聯直播系統(選填)

項目	數量	單價	金額
9.9.1 Dual Channels Video Streamer <ul style="list-style-type: none"> <li>• Support remote NAS storage or local storage to an external USB device / SD Card</li> <li>• Video Interface : HDMI 1.4bx 2, 3G- SDI x 2 , Audio embedded</li> <li>• Audio Interface : 3.5mm Line-in x 2 , 3.5mm Mic-in x 1 , XLR x 1</li> <li>• Channels : 2</li> <li>• Max.Streaming : 1080p60</li> <li>• Encoding Video Format : H.265 , H.264</li> <li>• Protocol : TCP , UDP , RTMP , RTP , RTSP , RTMPS , HLS</li> <li>• Preview Output : HDMI 1.4b</li> <li>• Layout : PIP , PBP , single , customized layouts</li> <li>• Connectivity : Ethernet x 2 , RS-485</li> <li>• Storage : NAS , USB 3.0 , SD card slot for local storage</li> <li>• Dimensions ( LxWxH ) : 210.5mm x 179.2mm x 39.8mm</li> </ul>	1 set		
9.9.2 6-Bay NAS with 10Gb network Expansion Card	1 set		



### A座5樓電視台裝修工程

<ul style="list-style-type: none"> <li>• MD Ryzen V1500B , Quad Core 2.2GHZ</li> <li>• 4GB DDR4 ECC SO-DIMM ( up to 32GB )</li> <li>• 3x USB 3.0</li> <li>• 2XESATA</li> <li>• 4x Gigabit LAN</li> <li>• 1x 10GBE RJ-45</li> <li>• SHR , RAID 0,1,5,6,10</li> <li>• 2x M.2 SATA SSD</li> <li>• Synology High Availability / 2x IP Cam Licenses ( up to 40 )</li> </ul>			
9.9.3 10TB Enterprise level NAS HDD SATA3	1 set		
9.9.4 16GB DDR4 ECC SO-DIMM	1 set		
9.9.5 M.2 1TB 2280 NVM SSD	1 set		
9.9.6 100L Digital Dry Cabinet	1 set		

#### 9.10 內聯直播系統拉線放線佈線工程(選填)

The contractor shall allow costs in quotation to provide sufficient quantity and its cabling work required, including but not limited to supply and install the fiber optics, Cat6 or Cat6A cable, coaxial cable, conduit, cable patch panel, cable faceplates, cable patch cords, equipment housing cabinets and other equipment such as fiber switch required to support provisioning of PA and video broadcast service. Existing Trunks, conduits and power points can be used by contractor, while it should maintain the fixture in good quality and dismantling old cables if necessary. Cables quantity please provide floor plan or diagram.

項目	數量	距離	單價	金額
9.10.1 Fiber optics				
9.10.2 Cat6 cable				
9.10.3 Cat6A cable				
9.10.4 Coaxial cable				
9.10.5 Conduit				
9.10.6 Cable patch panel				
9.10.7 Cable faceplates				
9.10.8 Cable patch cords				



### A座5樓電視台裝修工程

9.10.9 Equipment housing cabinets				
9.10.10 Fiber switch				
9.10.11 Trunks				
9.10.12 檢查及清理舊線	1 job			

**10. 工程總價：** 港幣\_\_\_\_\_。  
總價將包括按時並圓滿完成所有工程項目、1年保養及其他有關開支的費用。

**工程總價(選填方案)：** 港幣\_\_\_\_\_。  
總價將包括按時並圓滿完成所有工程項目、1年保養及其他有關開支的費用。

**11. 工程付款：** 於合約訂定之日繳付工程總價 30% 港幣\_\_\_\_\_。  
工程完成中期(工程開始後 30 日)給繳付工程總價 30% 港幣\_\_\_\_\_。  
工程完成驗收後給繳付工程總價 30% 港幣\_\_\_\_\_。  
工程完成驗收後 6 個月後繳付工程總價 10% 港幣\_\_\_\_\_。  
承辦商須向本校發出有關工程費的發票。就本條款而言，整項工程或每階段工程只可在沒有任何明顯損壞或欠妥的情況下，方可視為妥善完成。

**工程付款 (選填方案)：** 於合約訂定之日繳付工程總價 30% 港幣\_\_\_\_\_。  
工程完成中期(工程開始後 30 日)給繳付工程總價 30% 港幣\_\_\_\_\_。  
工程完成驗收後給繳付工程總價 30% 港幣\_\_\_\_\_。  
工程完成驗收後 6 個月後繳付工程總價 10% 港幣\_\_\_\_\_。  
承辦商須向本校發出有關工程費的發票。就本條款而言，整項工程或每階段工程只可在沒有任何明顯損壞或欠妥的情況下，方可視為妥善完成。

**12. 工程變更：** 本校認為本工程其中部份有變更之必要時，得通知承辦商辦理，因工程變更而有數量之增減時，其工程費之計算，仍以標書內所列單價為準，如有新增項目，應由雙方共同議定合理之單價。增減工程的款項及付款方式經雙方議定後，以書面附入合約內作為附件。



## A 座 5 樓電視台裝修工程

- 13. 安全措施：** 施工期間，承辦商須於工作地點架設圍欄，設立明顯工程標誌，防止外人進入工地，以策安全。若因疏忽而發生意外，承辦商須負一切責任。
- 14. 工程保管：** 工程未經本校正式驗收前，所有已完成工程及到場材料，包括本校供給及承辦商自備，均由承辦商負責保管，倘有損壞缺少，應由承辦商負責。
- 15. 損壞及保險：**
- 承辦商須對其工人、工程涉及的物業及當中物品，工程本身或鄰近物業所造成的任何費用、責任、損失、索償及損壞，負上法律責任，並須向本校作出賠償。
  - 在不損害承辦商對本校負上賠償責任的原則下，承辦商須為整項工程購買所須的建築工程一切保險及公眾責任保險。
  - 承辦商必須按照《僱員補償條例》規定投購僱員補償保險，以保障任何受僱工人在進行工程時出現人命傷亡所引起的索償，並須於收取第一期工程費前出示保險證書、保費收據或其他證據之正本及呈交副本文件予本校，以茲證明已購買有效的僱員補償保險和公眾責任保險。
- 16. 承辦商責任：**
- 承辦商必須按照工程範圍及合約條款，盡力並以良好與熟練的方式籌備、進行及完成工程。承辦商須運用合理水平的技術及合理程度的謹慎完成所有工程，包括挑選並沒有在工程細則內指定的任何物料、貨物的規格，以便在工程中使用。
  - 承辦商必須遵守任何及所有適用於本工程的香港法例，包括取得所有需要獲得的批准與許可，以及支付所有費用與收費等等。
  - 承辦商確認已視察工程地點，以確定與工程有關或影響工程的一切詳情，以及確認完成工程所需的一切事項。
- 17. 工程驗收：** 工程完成後，必須提供 WR1 證書、電位圖及一切相關設計圖，本校會派員驗收，認為及格，方作正式驗收。  
本校驗收時，如發現工程與規定不符，承辦商須依照本校指示及期限內進行修正。
- 18. 終止合約：** 如出現以下情況，本校有權按合約條文終止承辦商之合約：
- 承辦商在工程進行時沒有合理原因下部份或完全停止施工；
  - 承辦商沒有按照規定進度盡力施工；
  - 承辦商不願意或持續沒有遵守清除有缺陷之工程項目或以不恰當用料/物品進行工程；
  - 承辦商面臨無力償還債務或可能提出申請頒令清盤或破產；



## A 座 5 樓電視台裝修工程

- 在本校合理的意見下，承辦商並不根據本合約履行服務，或承辦商施工及/或所完成的工程未能符合本校的要求，或經常忽略履行本合約有關承辦商的責任。
- 如本校按第 18 條款終止承辦商之合約，承辦商須立即離開工程地點，而本校有權另覓其他承辦商把有關工程完成，並於進行工程時有權使用所有由承辦商購買及送抵工程地點的所有物料和物品；承辦商須向本校賠償因終止承辦商之合約和繼續完成餘下工程所引致的工程費用差額及其他損失。

### 19. 防止賄賂

條例：

- 承辦商須申述及保證不得且須禁止其董事、僱員、代理人及分判承辦商就合約的招標及執行而提供、索取或接受《防止賄賂條例》（香港法例第 201 章）所定義的利益。

### 20. 備註：

- 校園範圍嚴禁吸煙。
- 如有車輛需要進出本校，必須 1 天前向校方申請並獲批准後方可進出。
- 承辦商完工後需要清潔及收拾場地。
- 承辦商不得以學校名義對外發出文件、借貸、買賣及簽訂任何合約等；未獲得本校許可，不得與任何人士簽約或協議或收受酬勞，及不得將校內任何物品或地方轉租或轉借或轉讓。
- 承辦商不得將此合約之權益轉讓、抵押或轉租與別人。
- 承辦商必須領取獨立之商業牌照，承辦商並非本校之附屬單位或代理人，本校不負責承辦商之任何商務纏繞或債務。
- 請列明曾經及現行服務的機構名稱及地址，並同意本校有需要時，向該等機構查詢 貴機構的服務表現。

### 21. 查詢：

有意承辦者可聯絡李世樑先生(27142562)預約視察實地情況。

視察日期：2021 年 7 月 14 日

視察時間：早上 10 時-11 時

不設泊車。



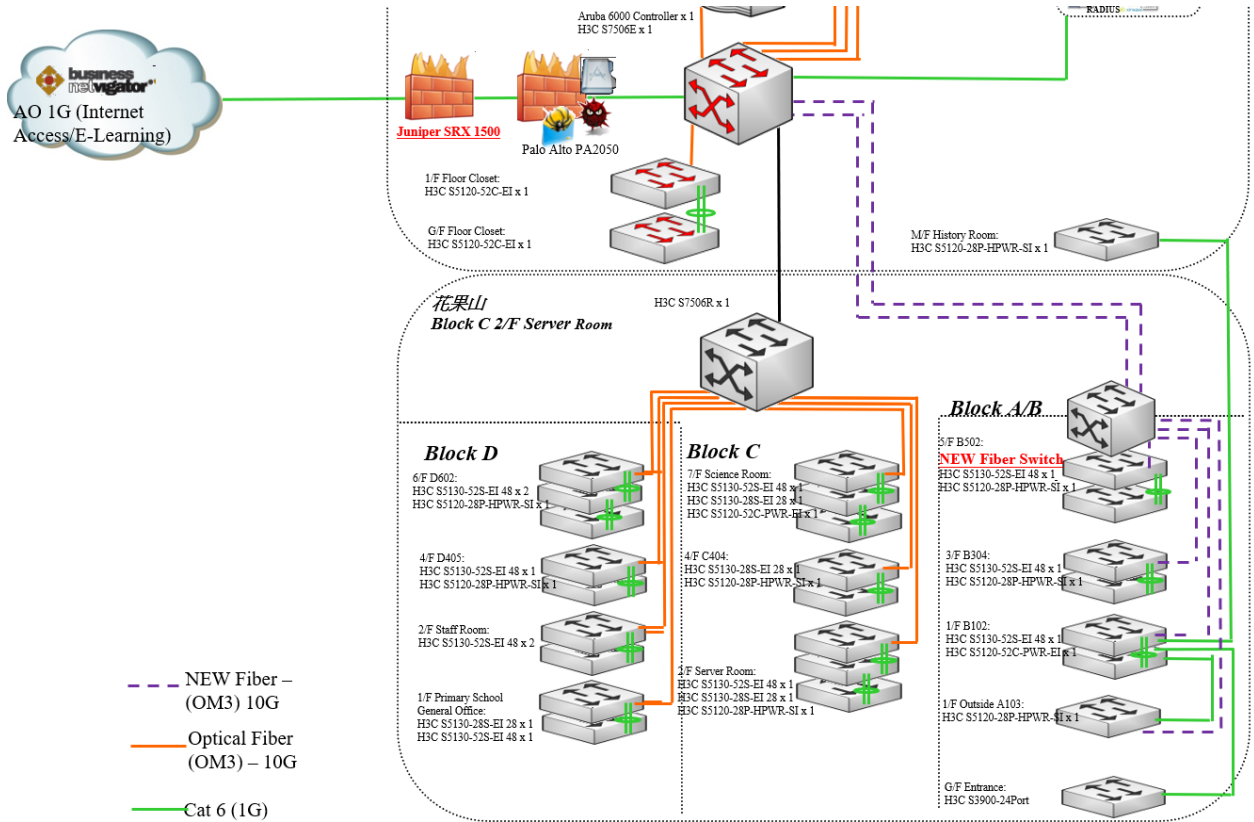
# 香港培正小學 PUI CHING PRIMARY SCHOOL

九龍窩打老道八十號  
80 WATERLOO ROAD, KOWLOON, HONG KONG

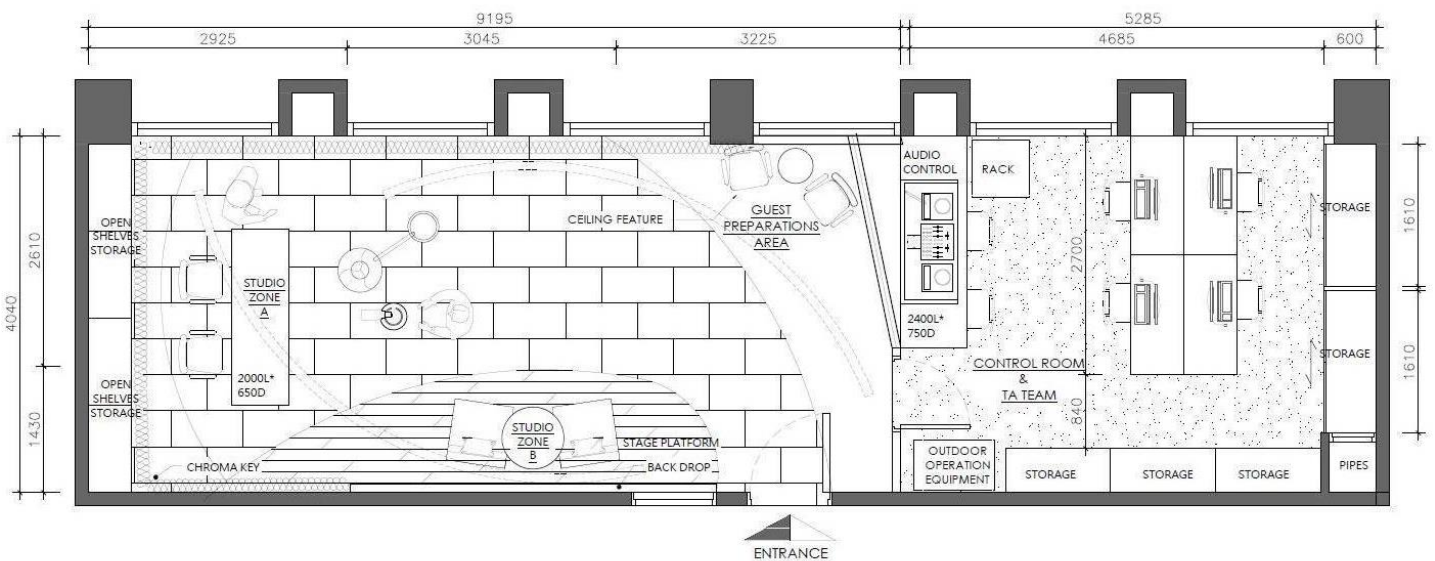
Tel : (852) 2714 2562  
Fax : (852) 2760 9717  
Website : www.pcps.edu.hk  
E-mail : puiching@pcps.edu.hk

## A座5樓電視台裝修工程

附件 1



附件 2：設計圖





## A座5樓電視台裝修工程

### 聲明書

截標日期 : 2021年7月23日中午12時  
學校檔案 : P-2020-T-15  
學校名稱 : 香港培正小學  
學校地址 : 九龍窩打老道80號

#### 第一部份

下方簽署人願意按照正式訂單上訂明的日期及所列的價格，包括勞工、材料及其他所有費用，以及校方所提出的細則，提供投標附表所列項目的服務。下方簽署人知悉，所有未經特別註明的項目，均須按照該細則的規定提供服務；投標書由上述截標日期起計 90 天內仍屬有效；校方不一定採納投標金額最低者之投標書，並有權在投標書有效期內，採納某份投標書的全部或部份內容。下方簽署人亦保證其機構的商業登記及僱員補償保險均屬有效，而其機構所提供的服務不會損壞學校的校舍。

#### 第二部份

再行確定投標書的有效日期

有關本投標書的第一部份，現再確定本機構的投標書有效期由 2021 年 7 月 23 日起計 90 天。

下方簽署人亦同意，投標書的有效日期一經再行確定，其機構就該事項註明於投標表格內的預印條文，即不再適用。

投標書代表的姓名(已獲授權) : \_\_\_\_\_  
投標書代表的簽署(已獲授權) : \_\_\_\_\_  
投標書代表的職銜 : \_\_\_\_\_  
日期 : \_\_\_\_\_

上方簽署人已獲授權，代表：\_\_\_\_\_機構簽署投標書，該機構在香港註冊的

辦事處地址為 : \_\_\_\_\_

電話號碼 : \_\_\_\_\_

傳真號碼 : \_\_\_\_\_

機構印鑑  
\_\_\_\_\_



**A座5樓電視台裝修工程  
不擬投標表格**

敬啟者：

本機構現欲知會 貴校，本機構不擬投標 貴校 A座5樓電視台裝修工程[學校檔案：

P-2020-T-15]之出標項目，原因如下：

---

---

---

---

---

現隨本函及投標附表寄回 貴校。

此致

香港培正小學

機構名稱	:	_____
機構地址	:	_____
機構負責人姓名	:	_____
機構負責人簽署	:	_____
機構負責人職銜	:	_____
機構印鑑	:	_____
日期	:	_____





香港培正小學  
PUI CHING PRIMARY SCHOOL  
九龍窩打老道八十號  
80 WATERLOO ROAD, KOWLOON, HONG KONG

Tel : (852) 2714 2562  
Fax : (852) 2760 9717  
Website : www.pcps.edu.hk  
E-mail : puiching@pcps.edu.hk

**A 座 5 樓電視台裝修工程**  
**回標標籤**

(投標者必須使用下列方式的回標標籤，同時不可在信封上顯示任何能識別投標者身份的資料)

**香港培正小學**  
**九龍窩打老道 80 號**  
**A 座 5 樓電視台裝修工程**

**學校檔案 : P-2020-T-15**

**截標日期 : 2021 年 7 月 23 日中午 12 時**

**限閱文件(標書)**